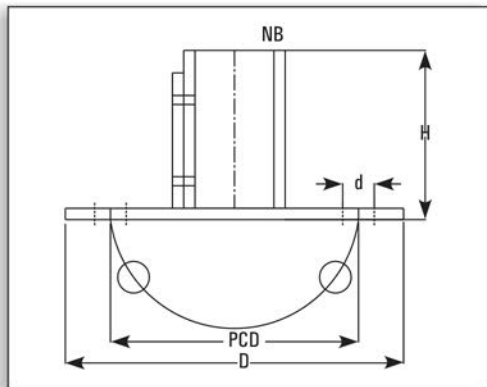


STRUCTURE FITTINGS - BASE



These are to be used with vertical tubes. Holes are provided for foundation.

Cat.Ref.	NB	D	H	PCD	d \emptyset
BS25*	25	150	75	110	4 x 14 \emptyset
BS30*	30	150	75	110	4 x 14 \emptyset
BS40	40	150	75	110	4 x 14 \emptyset
BS50	50	175	75	125	4 x 14 \emptyset